



W6300 SERIES

Submersible Linear

Suitable for Wet or Dry

HIGHLIGHTS

- Powerful IP68 rated linear submersible solution suitable for installation up to 9 feet (3m) deep
- Dimmable using low voltage magnetic dimming switch
- Up to 693 LMF
- Compatible with Hydrel TWX100 or less magnetic transformer
- Not intended to accommodate areas where there is partial or complete immersion of persons
- Suitable for wet and dry applications

5
YEAR
warranty

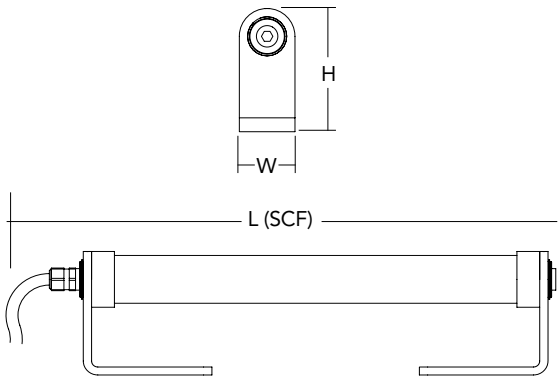



Buy
American

Specifications

Length:	12"	16-11/32" (415mm)
	18"	22-11/32" (567mm)
	24"	28-11/32" (720mm)
	30"	34-11/32" (872mm)
	36"	40-11/32" (1025mm)
	42"	46-11/32" (1177mm)
	48"	52-11/32" (1329mm)
Width:	1-3/4" (44mm)	
Height:	A3	3-7/8" (76mm)
	A6	6-7/8" (175mm)
	A9	9-7/8" (251mm)

DIMENSIONS



LUMEN PACKAGES

	NFL	VWFL
Delivered Lumens	2,630	2,620
Watts	39	39
LPW	67	67
Max CD	2,161	2,098

Note: Information based on 40K, 120mA, 48" fixture

ORDERING INFORMATION

EXAMPLE: W6312 LED 30MA 27K 24 NFL A3 SCF CSL10 LP

Series	Source	Drive Current	Color Temperature	Voltage	Distribution	
W6312	Submersible, Linear - 12"	LED LED light source	30MA 30mA rms current	27K 2700K CCT	24 24 Volt ac	NFL Narrow Flood
W6318	Submersible, Linear - 18"		60MA 60mA rms current	30K 3000K CCT		VWFL Very Wide Flood
W6324	Submersible, Linear - 24"		120MA 120mA rms current	35K 3500K CCT		
W6330	Submersible, Linear - 30"			40K 4000K CCT		
W6336	Submersible, Linear - 36"			50K 5000K CCT		
W6342	Submersible, Linear - 42"					
W6348	Submersible, Linear - 48"					

Mounting	Conduit Option	Cord Set Length	Lamped
A3 Mounting Bracket - 3"	SCF Cord Feed Straight	CSL _ _ Cord Length Available from 10ft to 120ft in 5ft Increments	LP Lamp Installed
A6 Mounting Bracket - 6"			
A9 Mounting Bracket - 9"			

ELECTRICAL LOAD

Light Engines	Drive Current (mA)	System Watts	Current (A)
			24
LED	30mA	9.4	0.39
	60mA	19	0.79
	120mA	39	1.63

Length	LED Amperage	Rated Watt
12"	30mA	2.5
	60mA	5
	120mA	10

Recommended transformer is the T1906.

PROJECTED LED LUMEN MAINTENANCE

Data references the extrapolated performance projections for the Fixture platform in a 25°C ambient, based on 8,400 hours of LED testing (tested per IESNA LM-80-08 and projected per IESNA TM-21-11).

To calculate LLF, use the lumen maintenance factor that corresponds to the desired number of operating hours below. For other lumen maintenance values, contact factory.

Operating Hours	0	25,000	50,000	100,000
Lumen Maintenance Factor	1.00	0.99	0.98	0.96

Notes:

- 12LED = 12 chip board, 14 watts; 18LED = 18 chip board, 19 watts
- FRF filter needed with VWFL.
- See individual mounting specification sheets for conduit/drilling options.
- For multiple TRAS boxes the number of fixture heads and accessories will be equal to the number of boxes ordered.
- Add Zinc undercoat for harsh environments.

PERFORMANCE DATA

LUMEN OUTPUT

Lumen values are from photometric tests performed in accordance with IESNA LM-79-08. Data is considered to be representative of the configurations shown, within the tolerances allowed by Lighting Facts. Actual performance may differ as a result of end-user environment and application. Contact factory for performance data on any configurations not shown here.

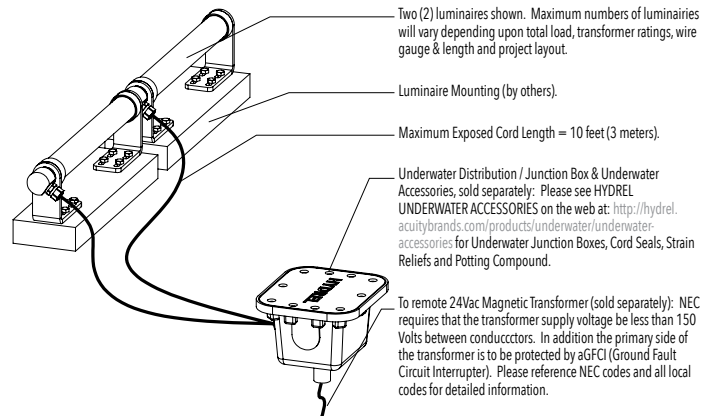
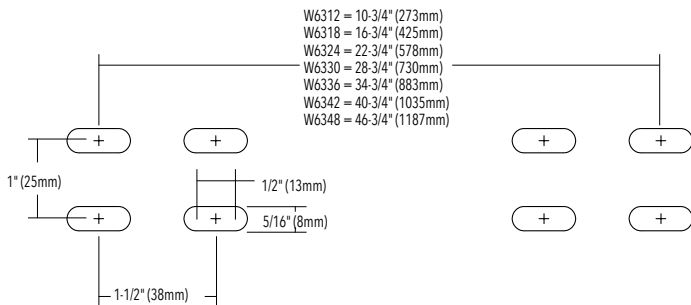
Performance Package	System Watts	Distribution	Field Angle		Beam Angle		27K (2700K, 70CRI)			30K (3000K, 70CRI)			40K (4000K, 70CRI)			50K (5000K, 70CRI)		
			°H	°V	°H	°V	Max Cd	Lumens	LPW	Max Cd	Lumens	LPW	Max Cd	Lumens	LPW	Max Cd	Lumens	LPW
30MA	9.4	NFL	138	119	101	31	499	607	65	592	721	77	603	734	78	637	775	82
	9.4	VWFL	166	180	114	180	484	605	64	575	718	76	585	731	78	618	772	82
60MA	19	NFL	138	119	101	31	991	1,207	64	1,176	1,431	75	1,417	1,457	77	1,263	1,537	81
	19	VWFL	166	180	114	180	963	1,202	63	1,142	1,426	75	1,162	1,452	76	1,132	1,413	74
120MA	39	NFL	138	119	101	31	1,790	2,178	56	2,123	2,584	66	2,161	2,630	67	2,280	2,775	71
	39	VWFL	166	180	114	180	1,737	2,170	56	2,061	2,574	66	2,098	2,620	67	2,043	2,551	65

All lumen data and wattages are based on a 48" fixture.

MOUNTING

MOUNTING INFORMATION provided for reference use only. See Installation Instructions for detailed installation information.

Mounting Feet Pattern



SPECIFICATIONS AND FEATURES

MATERIAL: Stainless Steel

SOURCE: 16 LED chips per foot available in 5 standard CCT's, 2700K, 3000K, 3500K, 4000K and 5000K

VOLTAGE: 24 Volt AC

DISTRIBUTION: NFL (30°) or VWFL (140°)

MOUNTING: 3", 6" or 9" Adjustable

ELECTRICAL: Remote 24Vac transformer by others, may be dimmed using low voltage magnetic dimming equipment

CORD: 16-3 submersible cord, .380 diameter

FASTENERS: Stainless Steel

OPERATING TEMPERATURE: 36°F (2°C) through 90°F (32°C) — submersed; -30°F (-35°C) through 122°F (50°C) — dry

WEIGHT: 12" 3.9 lbs
 18" 4.4 lbs
 24" 5 lbs
 30" 5.5 lbs
 36" 6 lbs
 42" 6.6 lbs
 48" 7.1 lbs

LISTING: ETL us – Submersible, IP68. Suitable for submersible and dry locations.

BUY AMERICAN: This product is assembled in the USA and meets the Buy America(n) government procurement requirements under FAR, DFARS and DOT. Please refer to www.acuitybrands.com/resources/buy-american for additional information.

WARRANTY: 5-year limited warranty. Complete warranty terms located at: www.acuitybrands.com/support/customer-support/terms-and-conditions

Consult factory for details.

NOTE: Actual performance may differ as a result of end-user environment and application. All values are design or typical values, measured under laboratory conditions at 25 °C. Specifications subject to change without notice.