



## SPECIFICATION SHEET : WH2-120-C

This Is An Original Product From Fulham Co., Inc

**Description : WorkHorse Series Versatile, Solid State Electronic Ballast. Small Case Size, High Power Factor, Light Weight, Available In 120/230/277V 50/60 Hz.**

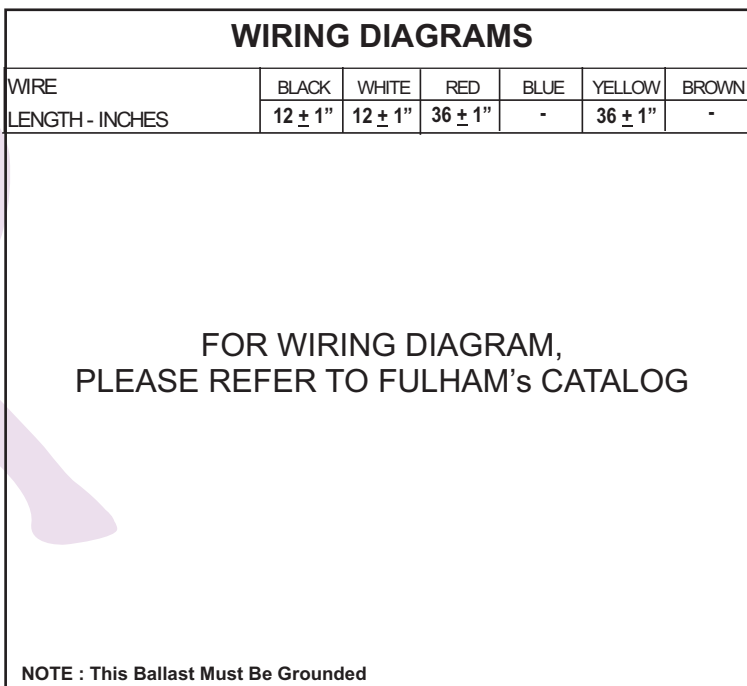
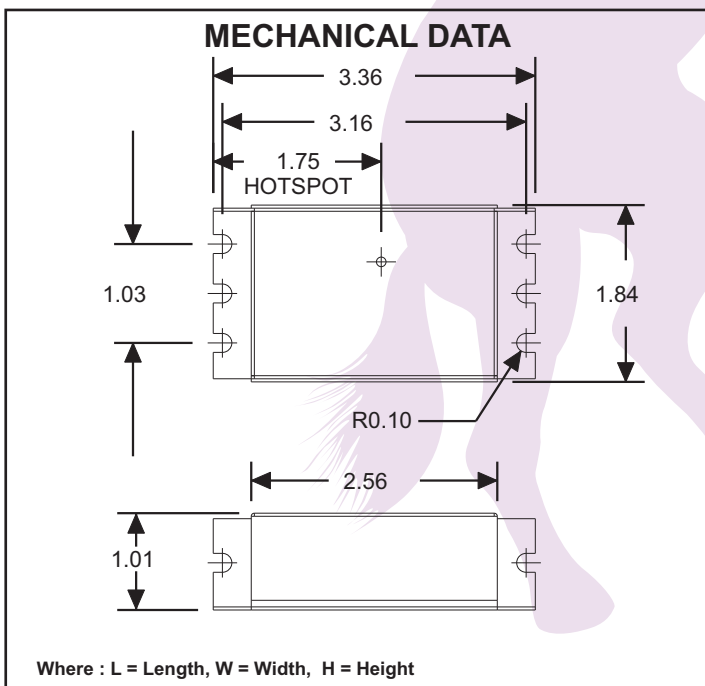
**This Ballast Will Operate Following Lamps.**



F8T5, F13T5, F14T5, F17T8,  
F21T5, F15T8, F25T8, F28T5, F35T5

### ELECTRICAL DATA

INPUT VOLT: 120V ± 10%, 50/60Hz						
LAMP WATTS/TYPE	LAMPS OPERATED	INPUT WATTS	LINE CURRENT	BALLAST FACTOR	EFFICACY FACTOR	
F8T5	1	11	0.10	1.15	10.47	
F13T5	1	17	0.15	0.98	5.84	
F21T5	1	23	0.20	0.96	4.14	
F28T5	1	30	0.26	0.94	3.12	
F15T8	1	17	0.15	1.01	6.09	
F17T8	1	21	0.28	1.22	5.82	
F25T8	1	29	0.25	1.19	4.17	
F14T5	2	25	0.22	0.78	3.11	
POWER FACTOR	> 0.9					
THD	< 38.7 %					
CURRENT CREST FACTOR	-					
EMI/RFI COMPLIANCE	FCC PART 18-A					
SOUND RATING	" A "					
BALLAST TYPE	INSTANT START					
VOLTAGE TRANSIENTS	ANSI C82.11 - 1993					
INPUT/PROTECTION	FUSE					
MIN. OPERATING TEMP	- 30 °C ( - 20 ° F )					
MAX. CASE TEMP	70 °C ( 158 ° F )					
ENERGY STAR 4.0	-					
APPROVALS/CLASS	UL LISTED, CLASS " P ", 1 OR 2 OUTDOOR					



Fulham Co., Inc extends limited warranty only to the original purchaser or to the first user for the period of 5 years from the date of manufacture as indicated by the date code stamped on each product and when properly installed and under normal conditions of use. For additional warranty guide line, please refer to our Complete Product Catalog OR call Customer Service at 1-323-599-5000.

DUE TO A PROGRAM OF CONTINUOUS IMPROVEMENT, FULHAM Co., INC RESERVES THE RIGHT TO MAKE ANY VARIATION IN DESIGN OR CONSTRUCTION TO THE EQUIPMENT DESCRIBED.

Address : 12705 South Van Ness Ave., Hawthorne, CA 90250 Tel.: 1-323-599-5000, Fax.: 1-323-754-9060. Website: [www.fulham.com](http://www.fulham.com) 2006-43SP-1 rev

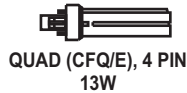


## SPECIFICATION SHEET : WH2-120-C

This Is An Original Product From Fulham Co., Inc

**Description : WorkHorse Series Versatile, Solid State Electronic Ballast. Small Case Size, High Power Factor, Light Weight, Available In 120/230/277V 50/60 Hz.**

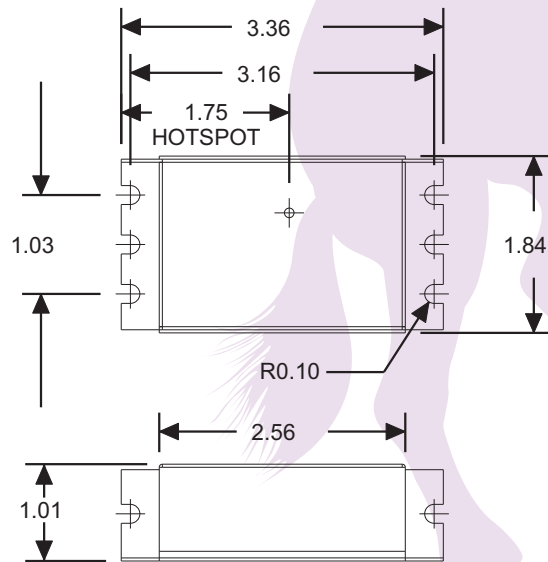
**This Ballast Will Operate Following Lamps.**



### ELECTRICAL DATA

INPUT VOLT: 120V ± 10%, 50/60Hz						
LAMP WATTS/TYPE	LAMPS OPERATED	INPUT WATTS	LINE CURRENT	BALLAST FACTOR	EFFICACY FACTOR	
FCR22W T9	1	19	0.17	0.84	4.51	
13CFQ/E	2	26	0.23	0.86	3.32	
F35T5	1	32	0.28	0.82	2.52	
18CFTR	1	18	0.16	0.91	5.05	
POWER FACTOR				> 0.9		
THD				< 38.7 %		
CURRENT CREST FACTOR				-		
EMI/RFI COMPLIANCE				FCC PART 18-A		
SOUND RATING				" A "		
BALLAST TYPE				INSTANT START		
VOLTAGE TRANSIENTS				ANSI C82.11 - 1993		
INPUT/PROTECTION				FUSE		
MIN. OPERATING TEMP				- 30 °C ( - 20 ° F )		
MAX. CASE TEMP				70 °C ( 158 ° F )		
ENERGY STAR 4.0				-		
APPROVALS/CLASS				UL LISTED, CLASS " P ", 1 OR 2 OUTDOOR		

#### MECHANICAL DATA



Where : L = Length, W = Width, H = Height

#### WIRING DIAGRAMS

WIRE	BLACK	WHITE	RED	BLUE	YELLOW	BROWN
LENGTH - INCHES	12 ± 1"	12 ± 1"	36 ± 1"	-	36 ± 1"	-

FOR WIRING DIAGRAM,  
PLEASE REFER TO FULHAM'S CATALOG

NOTE : This Ballast Must Be Grounded

Fulham Co., Inc extends limited warranty only to the original purchaser or to the first user for the period of 5 years from the date of manufacture as indicated by the date code stamped on each product and when properly installed and under normal conditions of use. For additional warranty guide line, please refer to our Complete Product Catalog OR call Customer Service at 1-323-599-5000.

DUE TO A PROGRAM OF CONTINUOUS IMPROVEMENT, FULHAM Co., INC RESERVES THE RIGHT TO MAKE ANY VARIATION IN DESIGN OR CONSTRUCTION TO THE EQUIPMENT DESCRIBED.

Address : 12705 South Van Ness Ave., Hawthorne, CA 90250 Tel.: 1-323-599-5000, Fax.: 1-323-754-9060. Website: [www.fulham.com](http://www.fulham.com) 2006-43SP-2 rev