

Technical Information

No. 5548

Edition: 06/10

Substitutes: 04/10

Status: valid

Xenon Short Arc Lamp

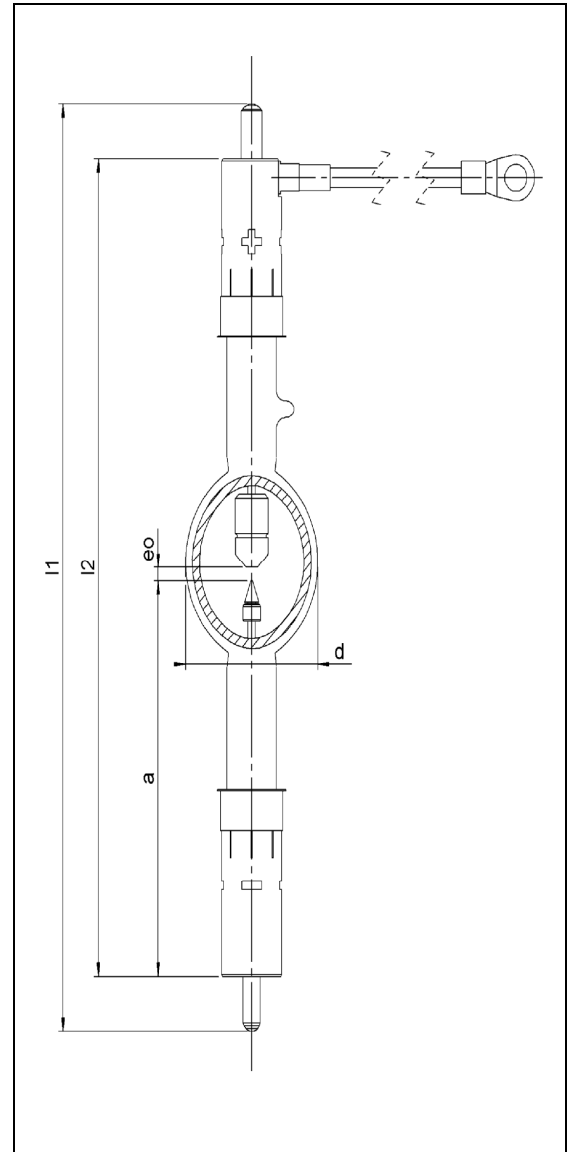
XBO[®] 2000 W/DHP OFR

■ Product description

The OSRAM XBO[®] 2000 W/DHP OFR is a DC operated lamp, which especially has been designed for applications, requiring highest level of performance in luminance and excellent arc stability. The XBO[®] 2000 W/DHP OFR will fit the latest technical Digital Cinema - Projection requirements.

■ Technical data

Order reference		XBO [®] 2000 W/DHP OFR
Rated lamp wattage	W	2000
Rated lamp voltage	V	25
Rated lamp current (=)	A	80
Current control range	A	60 - 90
Ignition voltage	kVP	36
Min. open circuit voltage for cold / hot ignition	V	85 / 110
Luminous flux	lm	80000
Luminous intensity	cd	7500
Average luminance	cd/cm ²	90000
Luminous area w x h *)	mm	1,3 x 3,5
Electrode gap e (cold)	mm	4,5
Lamp length (overall) l ₁	mm	max. 345
Lamp length l ₂	mm	max. 295
LCL a	mm	123
Bulb diameter d, max.	mm	46,5
Service warranty**)	h	3000
Warranty 100%	h	2400
Base		Cathode: SFc27-16/45
Anode cable 130 mm		Anode: SFaX27-14x80



*) b = luminance half width value; h = electrode gap (hot) of running amp

***) Covers rupture effects in the projector, like reflector and first filter in front of the lamp.

■ Lamp operation

Maximum permissible base temperature	°C	230
Cooling requirements		forced cooling / fan
Min. air flow velocity around discharge vessel	m/s	7
Operating position		s 70 (vertical + 70° : anode up) : p 20 (horizontal + 20°)