

## Technical Information

No. 5493

Edition: 04/10

Status: 04/09

Preliminary: Subject to change

## Xenon Short Arc Lamp

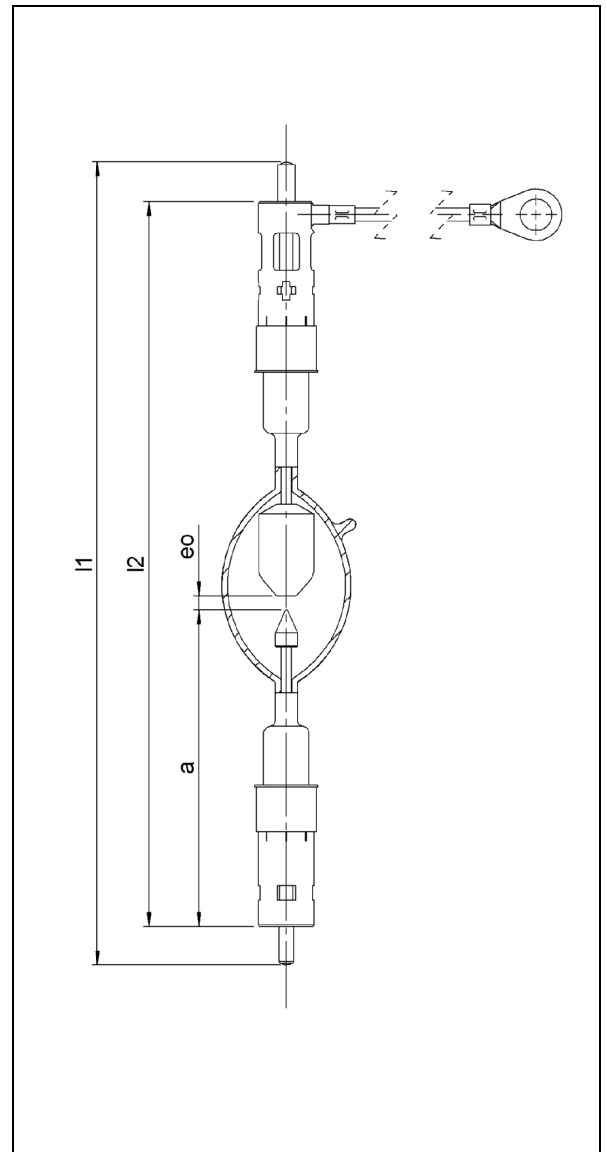
# XBO<sup>®</sup> 6500 W/DHP OFR

### ■ Product description

The OSRAM XBO<sup>®</sup> 6500 W/DHP OFR a DC-operated lamp, developed with the latest high brightness technology for XBO lamps. A generation especially designed for D-Cinema projector application. The DHP lamp is therefore a high performance lamp with excellent arc stability and superior level of luminance.

### ■ Technical data

Order reference	XBO <sup>®</sup> 6500 W/DHP OFR	
Rated lamp wattage	W	6500
Rated lamp voltage	V	38
Rated lamp current (DC) *)	A	170
Current control range	A	140 - 175
Ignition voltage	kV <sub>P</sub>	40
Min. open circuit voltage for cold / hot ignition	V	85 / 110
Luminous flux	lm	300000
Luminous intensity	cd	32000
Average luminance	cd/cm <sup>2</sup>	160000
Luminous area w x h **)	mm	2.0 x 6.3
Electrode gap e (cold)	mm	7.5
Lamp length (overall) l <sub>1</sub>	mm	max. 433
Lamp length l <sub>2</sub>	mm	max. 393
LCL a	mm	170,5
Bulb diameter d	mm	70
Service warranty***)	h	700
Warranty 100%	h	500
Base	Cathode:	SFa 30-7,9
Anode side cable 155mm	Anode:	SFa X 30-9,5



\*) Using electronic rectifier with low current ripple.

\*\*) w = luminance half width value; h = height of luminance area (corresponds to electrode gap, hot)

\*\*\*) Covers rupture effects in the projector, like reflector and first filter in front of the lamp.

### ■ Lamp operation

Maximum permissible base temperature	230°C
Cooling	forced cooling / fan
Min. air flow velocity around discharge vessel	6 m/s
Magnetic arc stabilization	necessary for horizontal operation
Burning position	s 15 (vertical ± 15°; anode up); p 15 (horizontal ± 15°)