

## FEATURES & SPECIFICATIONS

**INTENDED USE** — The industry's next generation in linear direct fluorescent products. This new compact, low-profile design offers our customers unique product features which improve the overall installation process and appearance while reducing labor cost, making it the most versatile solution for commercial, retail, manufacturing, warehouse, and cove and display applications.

**ATTRIBUTES** — Designed to accommodate a wide variety of T5 and T5HO lamp lengths. Channel offers the gripper back feature which strengthens the overall construction and allows for the use of the Z spring hanger (see back). Patent-pending fastener-less channel cover offers a secure fit design allowing for quick attachment and easy access without pinching wires.

**CONSTRUCTION** — Compact designed channel and cover are formed from code-gauge cold-rolled steel. Locking lamp holder tracks bolsters strength of the overall strip construction while creating improved lamp stability. Design includes T5 socket, features rotating collar and enclosed contacts. Improved easy "snap n' lock" end plates allow for quick attachment. Patent-pending "three-point" row connector locks channel together for straighter and faster rows mounting; included as standard.

**FINISH** — High-gloss, baked white enamel finish (white standard). Five-stage iron-phosphate pretreatment ensures superior paint adhesion and rust resistance. Other channel paint finish options: black (MB), smoke gray (SKGY) and galvanized (GALV).

**OPTICAL** — Reflector options include solid or apertured designs in both symmetric and asymmetric configurations. Consult factory for special-apertured versions.

**ELECTRICAL SYSTEM** — Thermally protected, resetting, Class P, HPF, non-PCB, UL listed.

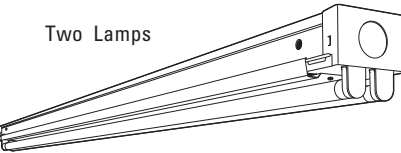
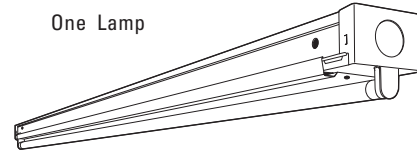
Suitable for damp locations. AWN, TFN or THHN wire used throughout, rated for required temperatures.

**INSTALLATION** — Patented-pending "three-point" row connector locks channels together for straighter and faster rows mounting; included as standard. Ideal for surface-mount or suspended.

Catalog Number	
Notes	Type



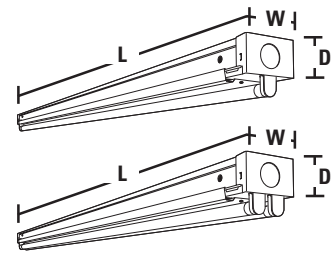
**Low-Profile T5 Striplight**



Linear Lamps  
1 or 2 Lamps

### Specifications

Length: 22-3/8 (56.8), 34-1/8 (86.7),  
46 (116.8) or 92 (233.7)  
Width: 2-1/8 (5.4)  
Depth: 1-1/2 (3.8)  
Weight: 7.1 lbs (3.2 kg)  
All dimensions are inches (centimeters).



**LISTING** — UL Listed, CUL Listed or CSA Certified to Canadian Standards.

**WARRANTY** — Guaranteed for one year against mechanical defects in manufacture.

## ORDERING INFORMATION

For shortest lead times, configure product using **standard options (shown in bold)**.

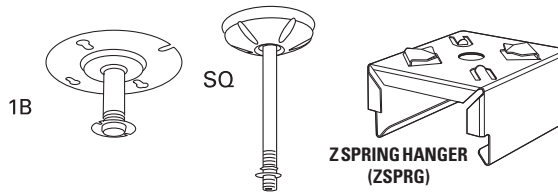
Example: Z 1 54T5HO Z5SMR46 MVOLT GEB10PS

Series	Number of lamps	Lamp type	Configuration	Voltage	Options
<b>Z Compact T5</b>	<b>1</b>	14T5 14W T5 (22") 21T5 21W T5 (34") 24T5HO 24W T5 HO (22") <b>28T5 28W T5 (46")</b> 39T5HO 39W T5 HO (34") <b>54T5HO 54W T5 HO (46")</b>	(blank) <b>No reflector</b> Z5ASR46 46" asymmetric reflector Z5SMR46 46" symmetric reflector Other lengths available. See Accessories.	<b>MVOLT</b> <sup>2</sup> 120 277 347 <sup>1</sup> Others available.	<b>GEB10PS Electronic ballast, &lt;10% THD, program start</b> OS10PS OSRAM® electronic ballast, <10% THD, program start S5 0.95 ballast factor SIMPLY5™ system <sup>4</sup> S5115 1.15 ballast factor SIMPLY5™ system <sup>4</sup> GLR Internal fast-blow fuse <sup>4</sup> GMF Internal slow-blow fuse <sup>4</sup> PLF_ Plug-in wiring, specify 1, 2 or 3 branch circuits and hot wires (A=black, B=red, C=blue, AB or AC) TILW Tandem in-line wiring EL55 Emergency battery pack (nominal 390-700 lumens; consult factory for additional battery packs) <sup>5</sup> EL65 Emergency battery pack (nominal 725-1325 lumens) <sup>5</sup> CSA CSA Certified <sup>8</sup>
For tandem double-length unit, add prefix T. <sup>1</sup> Example: TZ	Not included.				
<b>Accessories</b>					
Order as separate catalog numbers.					
SQ_ Swivel-stem hanger (specify length in 2" increments)					
ZSPRG Tong and T-grid hanger					
Z5SMR46 Symmetric reflector, 46" white					
Z5ASR46 Asymmetric reflector, 46" white					
Z5SMR34 Symmetric reflector, 34" white					
Z5ASR34 Asymmetric reflector, 34" white					
Z5SMR22 Symmetric reflector, 22" white					
Z5ASR22 Asymmetric reflector, 22" white					
WGZ46 46" wireguard, white					
WGZ5SMR46 46" wireguard, white, for symmetric reflector					
WGZ5ASR46 46" wireguard, white, for asymmetric reflector					
MS5ACF_ Adjustable aircraft cable system with power feed (specify length as 36, 72 or 108 inches)					
MS5AC_ Adjustable aircraft cable system (specify 36, 72 or 108 inches)					
			<b>Paint finish</b>	<b>Reflector type</b>	
			(blank) <b>White</b>	(blank) <b>Solid</b>	
			MB Matte black		
			GALV Galvanized		
			SKGY Smoke gray		
<b>NOTES:</b>					
1 Only available with 28W and 54W.					
2 MVOLT (120-277V), 50-60HZ					
3 Specify voltage.					
4 SIMPLY5 system includes a 13' S5SSC RELOC® wiring system. Specify voltage unless hardwire (HW) or PWS is ordered.					
5 Available with 4' and 8' lengths only.					
6 120-277V only for power feed.					
7 Standard wire size for power feed is 18 gauge. For 12 gauge add <b>12AWG</b> to the end of catalog number. Consult factory for length of runs and required wire size.					
8 347V only.					

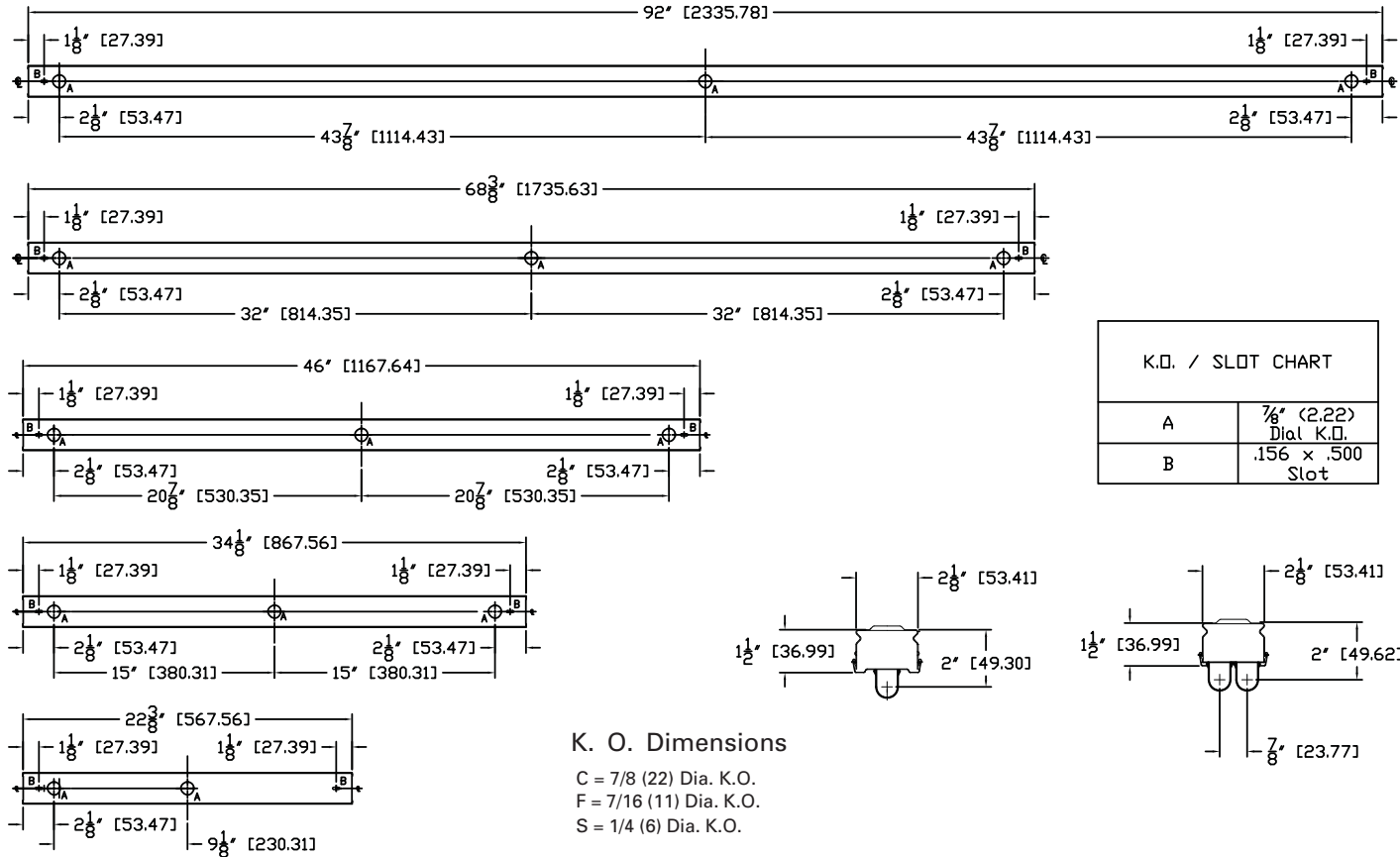
# Z T5 Compact Striplight

## MOUNTING DATA

For unit or row installation, surface or stem mounting.  
 Unit installation — Minimum of two hangers required.  
 Row installation — One hanger per channel plus one per row required.  
 Hanging devices illustrated.



## DIMENSIONS



### K. O. Dimensions

C = 7/8 (22) Dia. K.O.  
 F = 7/16 (11) Dia. K.O.  
 S = 1/4 (6) Dia. K.O.

## PHOTOMETRICS

Calculated using the zonal cavity method in accordance with IESNA LM41 procedure. Floor reflectances are 20%. Lamp configurations shown are typical. All data based on 25°C. Full photometric data on these and other configurations available upon request.

TEST NO: LTL17094

LUMINAIRE CATALOG NO.: Z 1 28T5 MVOLT GEB10PS  
 LUMENS PER LAMP: 2730

TEST NO: LTL17092

LUMINAIRE CATALOG NO.: Z 1 54T5HO MVOLT GEB10PS  
 LUMENS PER LAMP: 4450

TEST NO: LTL17070

LUMINAIRE CATALOG NO.: Z 2 54T5HO MVOLT GEB10PS  
 LUMENS PER LAMP: 4450

RCR	Coefficients of Utilization					
	80%		70%		50%	
	50%	30%	10%	50%	30%	10%
0	115	115	115	110	110	110
1	94	89	83	90	85	81
2	80	72	65	77	69	63
3	69	60	52	66	58	51
4	60	51	43	58	49	42
5	54	44	37	51	42	36
6	48	38	31	46	37	31
7	43	34	27	41	33	27
8	39	30	24	38	29	24
9	36	27	21	34	26	21
10	33	25	19	32	24	19

RCR	Coefficients of Utilization					
	80%		70%		50%	
	50%	30%	10%	50%	30%	10%
0	109	109	109	106	106	106
1	92	87	83	89	85	81
2	79	72	66	76	70	64
3	68	60	53	66	59	52
4	60	51	44	58	50	44
5	53	44	38	52	43	37
6	48	39	32	46	38	32
7	43	34	28	42	34	28
8	39	31	25	38	30	25
9	36	28	22	35	27	22
10	33	25	20	32	25	20

RCR	Coefficients of Utilization					
	80%		70%		50%	
	50%	30%	10%	50%	30%	10%
0	119	119	119	115	115	115
1	99	93	88	95	90	85
2	84	76	69	81	73	67
3	73	63	56	70	61	54
4	64	54	46	61	52	45
5	56	46	39	54	45	38
6	50	40	33	48	39	32
7	45	36	29	44	35	28
8	41	32	25	39	31	25
9	37	28	22	36	28	22
10	34	26	20	33	25	20

Zonal Lumen Summary			
Zone	Lumens	% Lamp	% Fixture
0° - 30°	428.3	15.7	15.7
0° - 40°	723.9	26.5	26.6
0° - 60°	1398.5	51.2	51.4
0° - 90°	2278.6	83.5	83.7
90° - 180°	443.9	16.3	16.3
0° - 180°	2722.4	99.7	100.0

Zonal Lumen Summary			
Zone	Lumens	% Lamp	% Fixture
0° - 30°	809.8	18.2	19.5
0° - 40°	1366.0	30.7	32.9
0° - 60°	2625.8	59.0	63.2
0° - 90°	3806.5	85.5	91.6
90° - 180°	347.8	7.8	8.4
0° - 180°	4154.3	93.4	100.0

Zonal Lumen Summary			
Zone	Lumens	% Lamp	% Fixture
0° - 30°	1451.4	16.3	15.8
0° - 40°	2517.9	28.3	27.4
0° - 60°	5023.5	56.4	54.7
0° - 90°	7793.5	87.6	84.8
90° - 180°	1392.3	15.6	15.2
0° - 180°	9185.9	103.2	100.0

